

SOLAR SHADING SYSTEMS

# SWF contract

TM

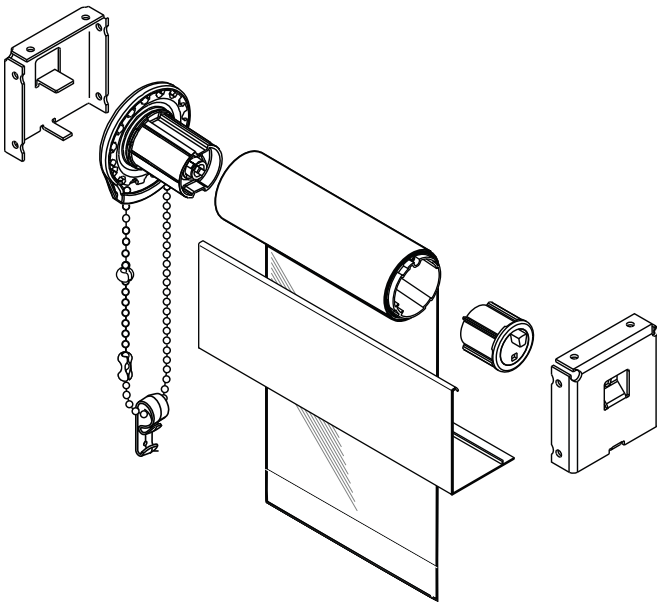
SPRINGS WINDOW FASHIONS  
the Best Experience Company 

# SWFcontract™ SOLAR SHADING SYSTEMS

SWFcontract™ solar shading systems provide function, flexibility and a clean design aesthetic for managing sunlight in today's commercial interiors. A broad collection of light filtering fabrics contributes to optimizing natural light while controlling heat and glare. State-of-the-art motorization, control systems and accessories can be configured to achieve the high level of energy efficiency required for any LEED® certified project.

## Product Features

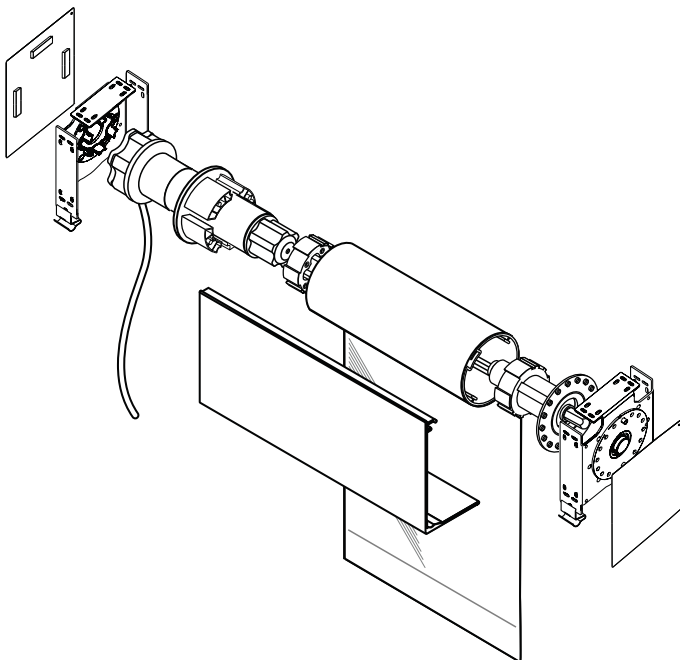
## MANUAL SHADES



- chain operated clutch system
- extruded aluminum roller tube with spline channel
- unique co-extruded spline is heat-welded to fabric providing secure attachment to tube while allowing easy removal of fabric band
- fully enclosed, heat-welded hem pocket
- dual and coupled shades
- solar and blackout fabric collection including GREENGUARD and PVC-free
- optional fascia, pockets, closure plates, side and sill channels
- 25-year limited warranty

## Product Features

## MOTORIZED SHADES



- standard, extended and heavy-duty motorized systems
- Somfy® motors with state-of-the-art controls
- quick disconnect plugs
- adjustable idle end brackets allow shades to be leveled in place
- extruded aluminum roller tube with spline channel
- unique z-shaped spline is heat-welded to fabric providing secure attachment to tube while allowing easy removal of fabric band
- fully enclosed, heat-welded hem pocket
- dual and coupled shades
- solar and blackout fabric collection including GREENGUARD and PVC-free
- optional fascia, pockets, closure plates, side and sill channels
- 25-year limited warranty

## Motorization Options

### Low Voltage 12V DC / 24V DC Motors

- **Somfy® LT 30 IR 12V DC motor**
- **Somfy® LT 30 RTS 12V DC motor**
- **Somfy® Sonesse™ 30 RTS 24V DC quite motor (rated @ 44db)**

### Standard 110V-120V AC Motors (60 hz)

- **Somfy® Sonesse™ 50 quite motor (rated @ 44db)**
- **Somfy® LT 50 series motors**

### RTS Standard 110V-120V AC Motors (60hz)

- **Somfy® Sonesse™ 50 RTS quiet motor (rated @ 44db)**
- **Somfy® LT 50 RTS series motors**

### Intelligent Motor (ILT) Standard 110V-120V AC Motors (60hz)

- **Somfy® Sonesse™ 50 ILT quite motor (rated @ 44db)**
- **Somfy® LT 50 ILT series motors**

ILT motors can be operated individually, as a group, or in combination and can be integrated with a building management system. Each ILT motor has a separate plug-in cable allowing easy system expansion.

## Somfy® Control Options

- **individual group control IGC-II/3N1 (up to 3 motors)**
- **group control system GCS-II (up to 4 motors)**
- **animeo® IB+ controller (up to 4 motors)**  
(independent or centralized programming and monitoring capabilities)
- **building controller with individual zone control (up to 8 zones)**
- **PC-based software for building management systems**
- **digital networks (SDN)**
- **sun sensors**
- **RTS controllers, switches and remotes**
- **decorator switches**

## Accessories

- **ceiling pockets with or without tile support**
- **pocket closure plates**
- **fascia for manual and motorized shades**
- **side, sill and center channels for blackout applications**

# SOLAR FABRIC COLLECTION

## SWFcontract™ SELECT FABRICS

collection	% open	fabric width	fabric composition	GREEN
<b>New</b> Double-Take T100	0-1%	98"	22% polyester / 78% vinyl on polyester	*
<b>New</b> Double-Take T300	3%	98"	15% polyester / 85% vinyl on polyester	*
<b>New</b> Double-Take T500	5%	98"	15% polyester / 85% vinyl on polyester	*
<b>New</b> Crosshatch A300	3%	98"	15% polyester / 85% vinyl on polyester	*
<b>New</b> Crosshatch A500	5%	98"	15% polyester / 85% vinyl on polyester	*
<b>New</b> Texture	10%	98"	15% polyester / 85% vinyl on polyester	*
<b>New</b> Sheer Lines	30%	94.5"	100% polyester	PVC-free

collection	% open	fabric width	fabric composition	GREEN
SheerWeave 1000	25%	84"	35% fiberglass / 65% vinyl on fiberglass	GREENGUARD
SheerWeave 2000	5%	72"/96"/126"	37% fiberglass / 63% vinyl on fiberglass	GREENGUARD
SheerWeave 2100	10%	72"/96"	37% fiberglass / 63% vinyl on fiberglass	GREENGUARD
SheerWeave 2360	10%	63"/98"	35% fiberglass / 65% vinyl on fiberglass	GREENGUARD
SheerWeave 2390	5%	63"/98"/126"	35% fiberglass / 65% vinyl on fiberglass	GREENGUARD
SheerWeave 2410	3%	63"/98"/126"	35% fiberglass / 65% vinyl on fiberglass	GREENGUARD
SheerWeave 2500	1%	63"/98"	37% fiberglass / 63% vinyl on fiberglass	GREENGUARD
SheerWeave 2701	1%	63"/98"	37% fiberglass / 63% vinyl on fiberglass	GREENGUARD
SheerWeave 2703	3%	63"/98"	37% fiberglass / 63% vinyl on fiberglass	GREENGUARD
SheerWeave 2705	5%	63"/98"	37% fiberglass / 63% vinyl on fiberglass	GREENGUARD
SheerWeave 2710	10%	63"/98"	37% fiberglass / 63% vinyl on fiberglass	GREENGUARD
SheerWeave 3000	14%	72"/96"	35% fiberglass / 65% vinyl on fiberglass	GREENGUARD
SheerWeave 4000	5%	63"/98"/126"	25% polyester / 75% vinyl on polyester	GREENGUARD
SheerWeave 4100	10%	63"/98"	25% polyester / 75% vinyl on polyester	GREENGUARD
SheerWeave 4400	3%	63"/98"/126"	25% polyester / 75% vinyl on polyester	GREENGUARD
SheerWeave 4500	5%	63"/98"	17% polyester / 83% vinyl on polyester	GREENGUARD
SheerWeave 4600	3%	63"/98"	17% polyester / 83% vinyl on polyester	GREENGUARD
SheerWeave 4550	5%	63"/98"	17% polyester / 83% vinyl on polyester	GREENGUARD
SheerWeave 4650	3%	63"/98"	17% polyester / 83% vinyl on polyester	GREENGUARD
SheerWeave 4800	1%	63"/98"	24% polyester / 76% vinyl on polyester	GREENGUARD
SheerWeave 7000	opaque	94"	100% polyester with acrylic foam backing	GREENGUARD
SheerWeave 7100	opaque	72"	PVC-coated fiberglass w/ laminated 2-ply 100% PVC blackout film	
SheerWeave Infinity	3%	98"	100% TPO (Thermoplastic Olefin)	GREENGUARD
SheerWeave Infinity	5%	98"	100% TPO (Thermoplastic Olefin)	GREENGUARD
Balance	7%	98"	100% polyester	PVC-free
Spectra	10%	98"	100% polyester	PVC-free
M-Screen 8503	3%	78"/98"/122"	36% fiberglass / 64% vinyl on fiberglass	GREENGUARD
M-Screen 8505	5%	78"/98"/122"	36% fiberglass / 64% vinyl on fiberglass	GREENGUARD
E-Screen 7505	5%	78"/98"/120"	36% fiberglass / 64% vinyl on fiberglass	GREENGUARD
E-Screen 7510	10%	78"/98"/120"	36% fiberglass / 64% vinyl on fiberglass	GREENGUARD
Mermet Satine	5%	98"	42% fiberglass / 58% vinyl on fiberglass	GREENGUARD
Mermet Vela	3%	118"	100% polyester	GREENGUARD
Mermet Flocke	opaque	78"	48% fiberglass / 52% acrylic flocked backing	PVC-free
Room Darkening	opaque	72"	3-ply vinyl with 1-ply fiberglass	

\*independent testing in process