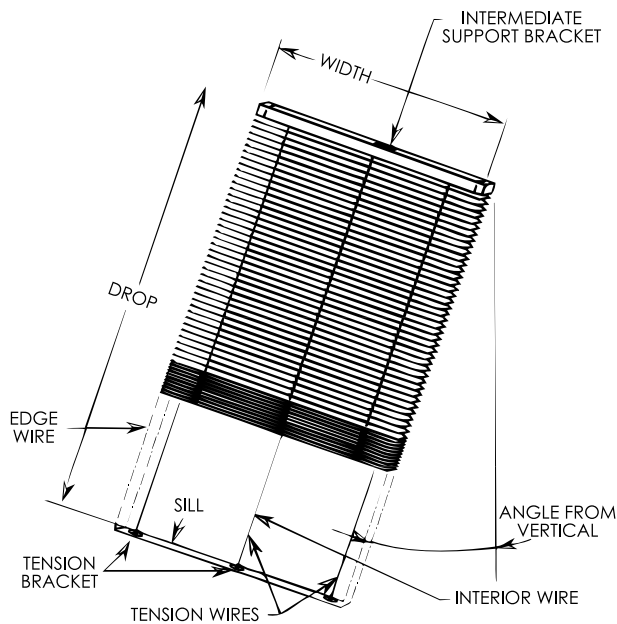


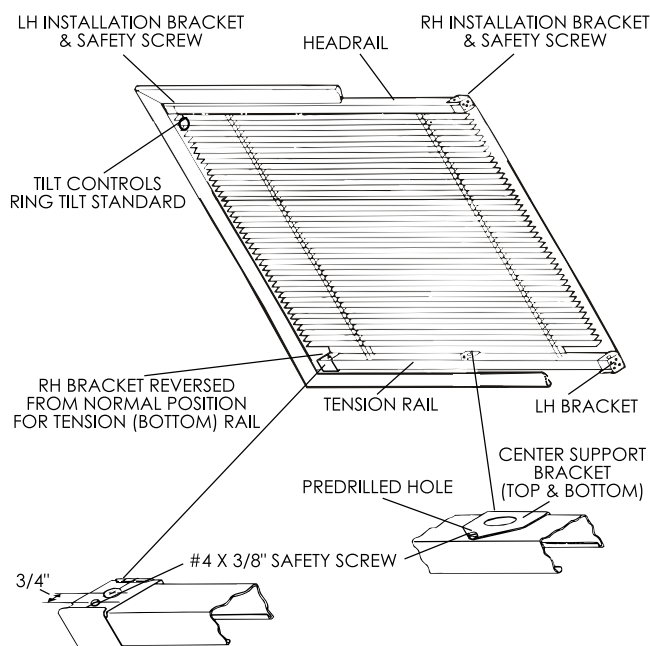
Bali® Classics specialty blinds are manufactured using the most flexible, corrosion-resistant slat material available. All Bali® Classics Specialty blinds are finished with Advanced Finishing Technology (AFT) an anti-static paint finish. Extensive custom manufacturing capabilities allow the opportunity to design a blind to fit virtually any window shape.

Bali® Incline Wire Blind



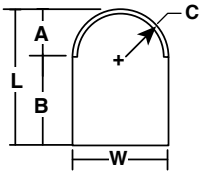
- Classics 1" headrail, slats and components
- Fully functional lift and tilt
- Up to 45° slope from vertical
- Thin, stainless steel tension wires anchored with tension brackets
- AFT, anti-static paint finish
- Low HAP, low VOC paint process
- Ring tilt and ring pull option
- Telescopic pole option
- Lifetime warranty

Bali® Dual Headrail Skylight Blind

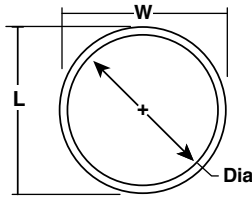


- Classics 1" headrail, slats and components
- Tilt only
- Up to 45° slope from horizontal
- Dual headrail with spring tension design
- Wand or ring tilt
- AFT, anti-static paint finish
- Low HAP, low VOC paint process
- Wand or ring tilt option
- Telescopic pole option
- Lifetime warranty

Bali® Arch and Circle Blinds



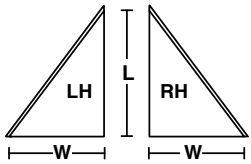
Extended Arch



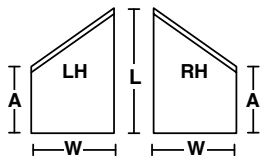
Circular

- 1" headrail, slats and components
- One piece, roll-formed aluminum headrail
- Full tilt capability
- Lift determined by design
- AFT, anti-static paint finish
- Low HAP, low VOC paint process
- Lifetime warranty

Bali® A-Frame Blinds

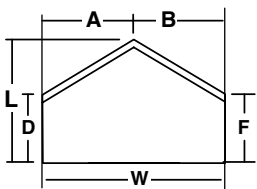


A-Frame

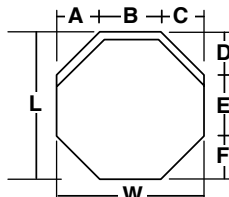


Extended A-Frame

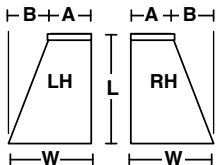
- Classics 1" headrail, slats and components
- Full tilt capability
- Lift determined by design
- AFT, anti-static paint finish
- Low HAP, low VOC paint process
- Lifetime warranty



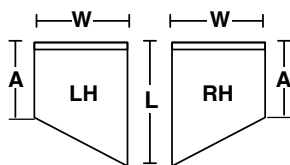
Extended Triangular



Wide Octagonal



Inverted Side Cut



Extended Inverted A-Frame