

PART 1 - GENERAL

1.01 DESCRIPTION

- A. Furnish and install Nanik® Horizontal Wood Blinds, provided by Springs Window Fashions LLC, 7549 Graber Road, Middleton, WI 53562 in accordance with specifications, drawings and contract documents.

1.02 SUBMITTALS

- A. Manufacturer's complete CSI 3-part specification sheet.
- B. Product Sample: Submit working hand sample or mock up blind as required.
- C. Color Sample: Submit two 6" samples of slat material indicating color and dimensions.

1.03 DELIVERY, STORAGE AND HANDLING

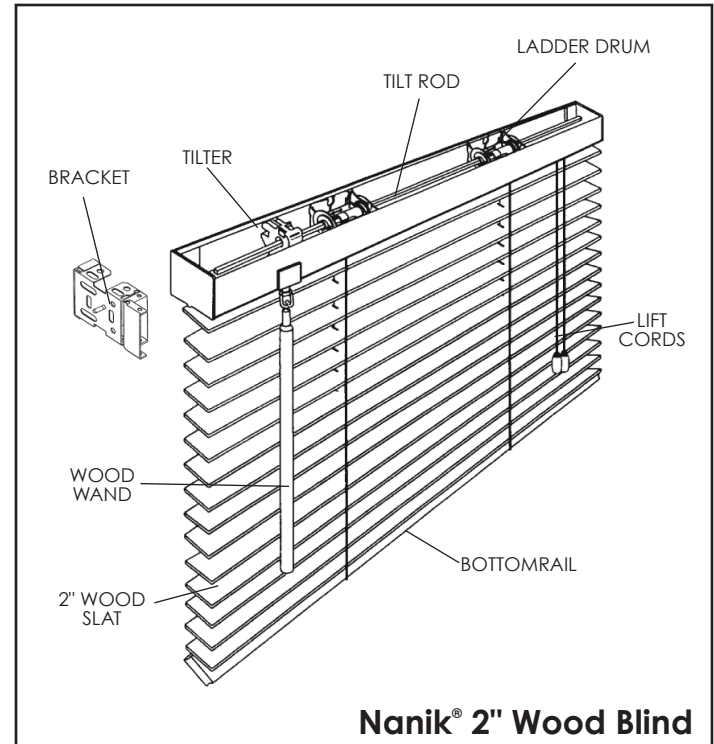
- A. Product to be delivered to jobsite in manufacturer's original packaging.
- B. Products to be handled and stored to prevent damage to materials, finishes and operating mechanisms. Store in a clean, dry area, laid flat to prevent sagging and twisting of packaging.

1.04 PROJECT / SITE CONDITIONS

- A. Building shall be enclosed; and windows, frames and sills shall be installed and glazed.
- B. Wet work shall be complete and dry.
- C. Ceilings, window pockets, electrical and mechanical work above window covering shall be complete.
- D. Electrical power (110 volt AC) shall be available for installer's tools within 500 feet of product installation areas.

1.05 QUALITY ASSURANCE

- A. Manufacturer, subsidiary or licensed agent shall be approved to supply the products specified and to honor any claims against product presented in accordance with warranty.
- B. Installer shall be qualified to install specified products by prior experience and approved by Springs Window Fashions LLC (SWF). Installer shall be responsible for acceptable installation in accordance with instructions published by SWF.



1.06 LIMITED LIFETIME WARRANTY

- A. Springs Window Fashions LLC (SWF) warrants the product against original defects in materials or workmanship for the life of the blind. SWF does not warrant damage due to accidents, misuse, abuse, improper installation, alterations or improper cleaning. Detailed specifics of the warranty are available upon request.

PART 2 - PRODUCTS

2.01 ACCEPTABLE MANUFACTURERS

- A. Springs Window Fashions LLC or architect approved equal.
- B. Substitutions Request: Submit for approval under provisions of section 01600.

2.02 HORIZONTAL BLINDS

A. Product: Nanik® 2" Wood Blinds

- a. **SureClose® XL Headrail** shall be 1-5/8" high x 2-3/8" wide x .055" thick U-shaped, extruded aluminum with 1/8" light blocking lip on the bottom center line and finished with a powder coat paint.

- b. **Valance** shall be lineal grained, smooth sanded 100% North American basswood. Standard valance choices include a four bead, crown molded or a streamlined design.
- c. **Tilter** shall be a cord operated worm and pulley design of low-friction thermoplastic and a nylon gear and housing.
- d. **Tilt rod** shall be electro-zinc coated solid steel measuring 1/4" square.
- e. **Cord lock** shall be of a snap-in design incorporating a floating, shaft-type locking pin and shall incorporate a crash proof safety feature that will lock blind automatically upon release of cord.
- f. **Cradles** shall be made of molded nylon with a non-corrosive liner and guide for tilt cords.
- g. **Braided ladder roll** shall be secured around the body of the ladder with a stainless steel wire loop. The ladder shall be secured to the tilt rod to ensure tight closure of slats.
- h. **Braided ladder** shall be made of polyester Dacron yarn. Standard ladder spacing shall be 44mm.
- i. **Installation brackets** shall be a rivet-hinged front cover phosphate-treated steel with urethane primer and polyester baked enamel finish to match headrail.
- j. **Slats** shall be nominally 2" wide x .115" thick and made of lineal grained and smooth sanded 100% North American basswood, kilned dried to a 6%-10% moisture content to reduce warping. Slats shall be stained and coated with a clear satin lacquer finish for a hand-rubbed appearance. Stain hue may vary in intensity due to natural variations in wood texture and grain. Painted slats shall be finished to specified mil thickness and within 1.0 Delta of master color samples.
- k. **Bottomrail** shall be contour molded to a shape of 3/8" x 2" with 1/8" radius rounded edges. Bottomrail shall be lineal grained and smooth sanded 100% North American basswood, kiln dried to a 6%-10% moisture content and cut prior to finishing.
- l. **Options** shall include:
 - i. Colors by Choice™ custom color program
 - ii. High gloss finish
 - iii. Classic 1" and 1-1/2" cloth tapes
 - iv. COM cloth tapes
 - v. Antique brass or wood tassels

- vi. NoHoles™ slats
- vii. Wand tilt
- viii. Simpull® tilt control
- ix. Hold down brackets
- x. Extension brackets
- xi. Cut outs
- xii. Tension wire
- xiii. Specialty shapes include arches, angle top, circle, oval and trapezoid
- xiv. 2-3/8" slat width

2.03 Fabrication

- A. Blinds shall be fabricated according to specifications and accurate to tolerance established by SWF engineering standards.

Part 3 – EXECUTION

3.01 Inspection

- A. Installer shall be responsible for inspection of jobsite, approval of mounting surfaces, verification of field measurements and installation conditions. Installation shall commence when satisfactory conditions are met.

3.02 Installation

- A. Install blinds in accordance with manufacturer's instructions including recommended support brackets and fasteners.
- B. Install blinds with adequate clearance to permit smooth operation of the blinds. Demonstrate blinds to be in smooth, uniform working order.

3.03 Maintenance and Cleaning

- A. Clean blinds with mild soap and water only. Do not use cleaning methods involving heat, bleach, abrasives, or solvents. Do not use window cloths with paper content. Use of these methods will void the warranty.