

## PART 1 - GENERAL

### 1.01 DESCRIPTION

- A. Furnish and install Bali® Horizontal Louver Blinds, provided by Springs Window Fashions LLC, 7549 Graber Road, Middleton, WI 53562 in accordance with specifications, drawings and contract documents.

### 1.02 SUBMITTALS

- A. Manufacturer's complete CSI 3-part specification sheet.
- B. Product Sample: Submit working hand sample or mock up blind as required.
- C. Color Sample: Submit two 6" samples of slat material indicating color and dimensions.

### 1.03 DELIVERY, STORAGE AND HANDLING

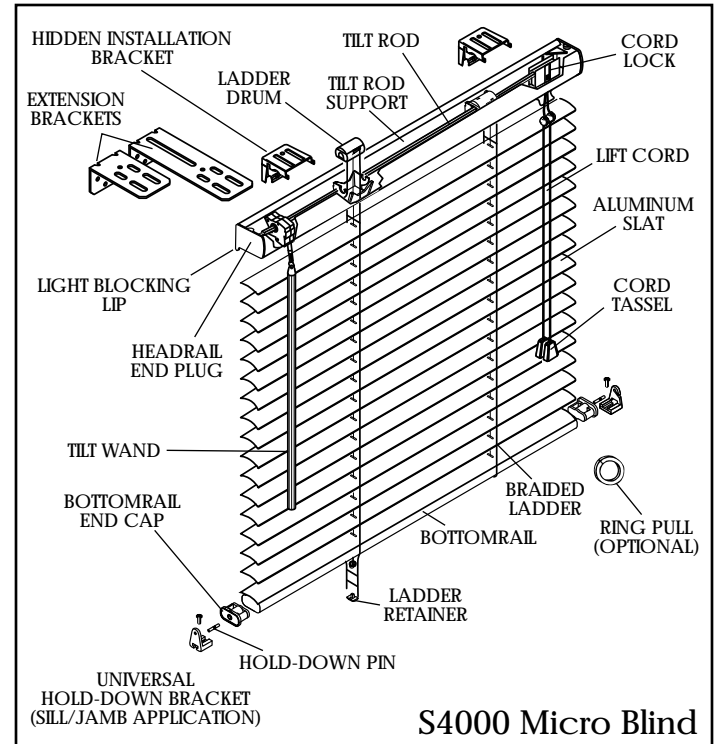
- A. Product to be delivered to jobsite in manufacturer's original packaging.
- B. Products to be handled and stored to prevent damage to materials, finishes and operating mechanisms. Store in a clean, dry area, laid flat to prevent sagging and twisting of packaging.

### 1.04 PROJECT / SITE CONDITIONS

- A. Building shall be enclosed; and windows, frames and sills shall be installed and glazed.
- B. Wet work shall be complete and dry.
- C. Ceilings, window pockets, electrical and mechanical work above window covering shall be complete.
- D. Electrical power (110 volt AC) shall be available for installer's tools within 500 feet of product installation areas.

### 1.05 QUALITY ASSURANCE

- A. Manufacturer, subsidiary or licensed agent shall be approved to supply the products specified and to honor any claims against product presented in accordance with warranty.
- B. Installer shall be qualified to install specified products by prior experience and approved by Springs Window Fashions LLC (SWF). Installer shall be responsible for acceptable installation in accordance with instructions published by SWF.



### 1.06 LIMITED LIFETIME WARRANTY

- A. Springs Window Fashions LLC (SWF) warrants the product against original defects in materials or workmanship for the life of the blind. SWF does not warrant damage due to accidents, misuse, abuse, improper installation, alterations or improper cleaning. Detailed specifics of the warranty are available upon request.

## PART 2 - PRODUCTS

### 2.01 ACCEPTABLE MANUFACTURERS

- A. Springs Window Fashions LLC or architect approved equivalent.
- B. Substitutions Request: Submit for approval under provisions of section 01600.

### 2.02 HORIZONTAL BLINDS

- A. Product: Bali® S4000 Micro Blinds
- a. Headrail shall be 1" high x 1-1/2" wide x .025" thick steel valance-free design with a curved front profile, rolled edges at the top and a light blocking lip at the lower back side. The steel finishing process includes phosphate treatment for corrosion resistance, a chrome-free sealer, a low HAP urethane primer and a topcoat with low HAP polyester baked enamel.

- b. Tilter shall be made of injection-molded thermoplastics for smooth low-friction operation and will incorporate a clutch mechanism to prevent damage due to over tilting.
- c. Tilt rod shall be electro-zinc coated solid steel measuring 1/4" square.
- d. Drum and cradles shall be low-friction thermoplastic and provided for each ladder.
- e. Tilt wand shall be clear polycarbonate with a hexagonal cross section measuring approximately 1/4" diameter and attached to the tilter shaft by means of a spring clip for easy removal.
- f. Cord lock shall be metal of a snap-in design incorporating a floating, shaft-type locking pin and shall incorporate a crash proof safety feature that will lock blind automatically upon release of cord.
- g. Installation brackets shall be top loading, zinc plated steel with a snap-in design for easy installation.
- h. Braided ladder shall be made of 100% polyester yarn incorporating two extra strength rungs per ladder for slat support. Standard ladder spacing shall be 12.5mm.
- i. Slats shall be 5000 series cold-rolled aluminum containing the maximum allowable recycled content to produce a high strength and corrosion resistant flexible product. Slats shall be nominally 1/2" wide x .006" thick and processed with Advanced Finishing Technology (AFT), providing a smooth, hard, less porous surface. AFT delivers anti-static performance to repel dust. Slats shall be treated with a topcoat of polyester baked enamel.
- j. Bottomrail shall be completely enclosed tubular shape made of phosphate-treated steel for corrosion resistance and finished with a chrome-free sealer, low HAP urethane primer and a topcoat of low HAP polyester baked enamel and shall measure .025" thick.
- k. Options shall include:
  - i. Tilt limiter
  - ii. Ring tilter
  - iii. Top lock cord lock
  - iv. Ring pull
  - v. Box brackets
  - vi. Extension brackets
  - vii. Hold down brackets
  - viii. Cut outs

#### 2.03 Fabrication

- A. Blinds shall be fabricated according to specifications and accurate to tolerance established by SWF engineering standards.

---

## Part 3 – EXECUTION

### 3.01 Inspection

- A. Installer shall be responsible for inspection of jobsite, approval of mounting surfaces, verification of field measurements and installation conditions. Installation shall commence when satisfactory conditions are met.

### 3.02 Installation

- A. Install blinds in accordance with manufacturer's instructions including recommended support brackets and fasteners.
- B. Install blinds with adequate clearance to permit smooth operation of the blinds. Demonstrate blinds to be in smooth, uniform working order.

### 3.03 Maintenance and Cleaning

- A. Clean blinds with mild soap and water only. Do not use cleaning methods involving heat, bleach, abrasives, or solvents. Do not use window cloths with paper content. Use of these methods will void the warranty.