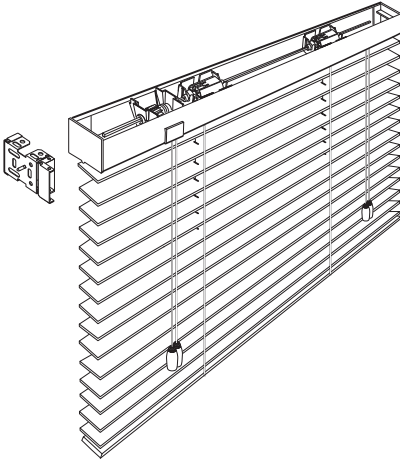


## DATA SHEET

## Product Features

## GRABER® LAKE FOREST™ 2" FAUX WOOD BLINDS



- Flat 2" vinyl slats meet NFPA 701
- SureClose® headrail system
- Cord tilt standard
- Braided ladder standard
- NoHoles™ option
- 2-1/2" slat option
- Wand tilt option
- Five year warranty

## Product Specifications

## GRABER® LAKE FOREST™ 2" FAUX WOOD BLINDS

**SureClose® headrail** shall be 1-5/8" high x 2-1/4" wide x .022" thick U-shaped steel with 1/8" light blocking lip on the bottom center line. The steel finishing process includes phosphate treatment for corrosion resistance, a chrome-free sealer, a low HAP urethane primer and a topcoat with low HAP polyester baked enamel.

**Cord tilter** shall be a snap-in component incorporating a worm and pulley of low-friction thermoplastic and nylon gear. Tilt cords shall be secured to pulley and treated with tassels at tilt end.

**Tilt rod** shall be electro-zinc coated solid steel measuring 1/4" square.

**Cord lock** shall be metal of a snap-in design incorporating a floating, shaft-type locking pin. Cord lock shall incorporate a crash proof safety feature that will lock blind automatically upon release of cord. End of lift cords will be treated with tassels.

**Drums** shall be made of high strength thermoplastic, which securely anchors braided ladder.

**Installation brackets** shall be a rivet-hinged front cover phosphate-treated steel with urethane primer and polyester baked enamel finish to match headrail.

**Braided ladder** shall be made of 100% polyester incorporating two extra strength rungs per ladder to support slats. Standard ladder spacing is 44mm.

**Slats** shall be rigid UV stabilized flat PVC nominally 2" wide x .10" thick with straight cut edges. Slats meet the requirement of NFPA 701 Test Method 1-2004 edition.

**Bottomrail** shall be extruded foam PVC 9/16" high x 2" wide and shall coordinate with slats.

**Options:**

2-1/2" slat  
NoHoles™ slat  
Wand tilt  
Cloth tape (2" premium finish only)  
Extension brackets  
Hold down brackets  
Cut outs