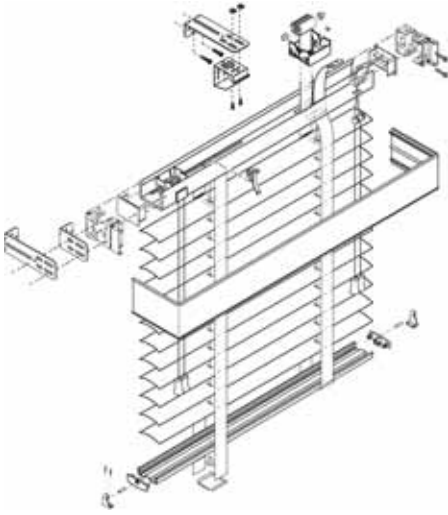


DATA SHEET

Product Features

BALI® 2" ALUMINUM SCHOOL BLINDS



- SureClose® headrail system
- AFT delivers anti-static performance to repel dust
- Low HAP, low VOC paint process
- Enclosed bottomrail
- 1-1/2" reinforced vinyl tapes
- Heavy duty lift and tilt cords
- Lifetime warranty

Product Specifications

BALI® 2" ALUMINUM SCHOOL BLINDS

SureClose® headrail shall be 1-5/8" high x 2-1/4" wide x .022" thick U-shaped steel with 1/8" light blocking lip on the bottom center line. The steel finishing process includes phosphate treatment for corrosion resistance, a chrome-free sealer, a low HAP urethane primer and a topcoat with low HAP polyester baked enamel.

Cord tilter shall be a snap-in component incorporating a worm and pulley of low-friction thermoplastic and a nylon gear. Standard tilt cords shall measure 2.2mm in diameter.

Tilt rod shall be electro-zinc coated solid steel measuring 1/4" square.

Drums shall be made of high strength thermoplastic, which securely anchors vinyl tapes.

Cord lock shall be metal of a snap-in design incorporating a floating, shaft-type locking pin and shall incorporate a crash proof safety feature that will lock blind automatically upon release of cord.

Installation brackets shall be a rivet-hinged front cover phosphate-treated steel with a urethane primer and polyester baked enamel finish to match headrail.

Lift cord shall be made of braided polyester measuring 2.2mm in diameter.

Vinyl ladder tape shall be 1-1/2" wide reinforced vinyl. Standard ladder spacing shall be 42mm.

Slats shall be 5000 series cold-rolled aluminum containing the maximum allowable recycled content to produce a high strength and corrosion resistant flexible product. Slats shall be nominally 2" wide x .008" thick and processed with Advanced Finishing Technology (AFT), providing a smooth, hard, less porous surface. AFT delivers anti-static performance to repel dust. Slats shall be treated with a topcoat of polyester baked enamel.

Bottomrail shall be "C" shaped 9/16" high x 2" wide x 0.40 thick anodized aluminum. It is fully enclosed with a dust cover slat and finished with a polyester baked enamel to match headrail.

Options:

Wand tilter
Ring pull
Ring tilter
Cut outs
Deluxe valance