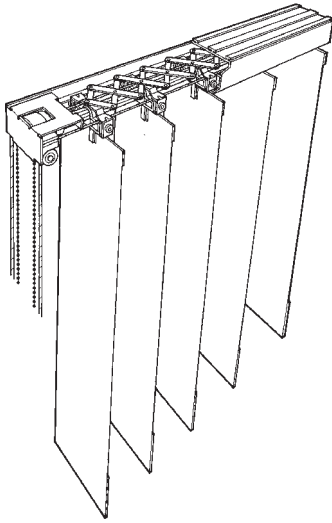


DATA SHEET

Product Features

GRABER® G-71 SUPER-VUE® VERTICAL BLINDS



- 1-15/16" x 1-3/8" heavy-duty extruded aluminum
- Steel pantograph spacing and traversing
- E-Z Open™ standard
- Centered carrier stems
- Clear non-yellowing stems
- #10 nickel plated steel rotation chain
- One Touch™ wand control option
- Special shapes available
- Lifetime headrail warranty

Product Specifications

GRABER® G-71 SUPER-VUE® VERTICAL BLINDS

Headrail shall measure 1-15/16" wide x 1-3/8" high with an average wall thickness of .050" and made of anodized aluminum alloy 6063-T5 with a satin finish.

Carriers shall be made of molded acetyl and traverse on self-lubricated wheels for smooth operation. Carriers shall be centrally located making the headrail reversible. Stems shall be made of clear, non-yellowing, UV-stabilized nylon and are impact-resistant. Carriers and stems shall be replaceable without demounting the headrail.

Rotation control shall consist of #10 nickel-plated steel bead chain and a dual rack and pinion gear system providing 180° direct rotation. The pinion rod shall be extruded aluminum 0.30" diameter. Standard E-Z Open™ feature will automatically rotate louvers to the open position when the traverse cord is operated.

Traversing control shall be a pantograph system made of hard-tempered, 18 gauge (0.046") plated steel, ensuring precise and proportional louver spacing. Traverse cord is #3 braided polyester with a fiberglass core, 0.094" diameter and is equipped with a cord weight and cord clip. The cord clip is anchored to the wall or window jamb during installation in accordance with CPSC recommendations.

Installation brackets shall be made of zinc plated, heat treated steel and provided for overhead, wall or ceiling installation per the contract documents.

Louvers shall be selected from the Graber® line of PVC offerings in 2" or 3-1/2" widths and/or fire-rated fabrics in 3-1/2" widths. FR certifications are available upon request.

- Options:**
- One Touch™ wand control
 - Standard valance
 - Stack release
 - Bottom chain
 - Extension brackets
 - Custom painted headrail
 - Curved headrail
 - A-Frame angle headrail
 - Elbow for bays

