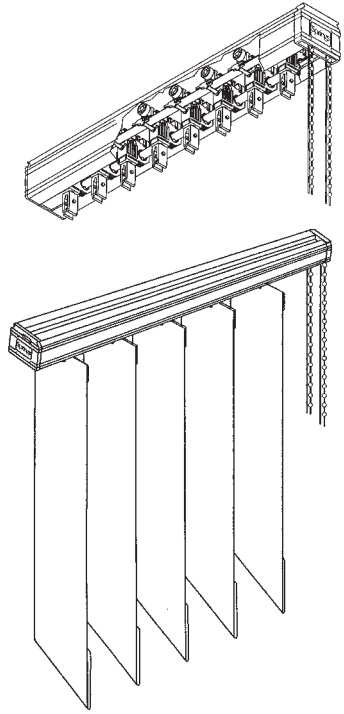


DATA SHEET

Product Features GRABER® ULTRA-VUE™ VERTICAL BLINDS



- 1-3/8" x 1-3/16" heavy-duty extruded aluminum
- Stainless steel carrier spacing
- Self-aligning centered carrier stems
- Clear non-yellowing stems
- Stack release
- #6 nickel plated steel rotation chain
- One Touch™ wand control option
- Lifetime headrail warranty

Product Specifications GRABER® ULTRA-VUE™ VERTICAL BLINDS

Headrail shall be 1-3/8" wide x 1-3/16" high with an average wall thickness of .050" and made of anodized aluminum alloy 6063-T5 with a bright dip finish.

Carriers shall be made of molded acetyl 5/16" wide for tight stacking and shall traverse on self-lubricated wheels for smooth operation. The standard stack release mechanism allows the louver stack to be moved away from the stack end for easy window access. Carriers shall be centrally located making the headrail reversible and are replaceable without demounting the headrail.

Self-aligning stems shall be made of clear, non-yellowing, UV-stabilized nylon and are impact resistant. Stems automatically realign when rotated, eliminating out-of-sync louvers; stems shall be replaceable without demounting the headrail.

Rotation control shall consist of #6 nickel-plated steel bead chain and a rack and pinion gear system providing 180° direct rotation. The pinion rod shall be extruded aluminum 0.235" diameter. A 6-1 gear ratio provides effortless rotation regardless of blind size.

Traversing control shall be a stainless steel spacer system providing uniform louver spacing. Traverse cord is Danskord 1.8mm diameter and is equipped with a tension pulley and cord clip. The cord clip is anchored to the wall or window jamb in accordance with CPSC recommendations.

Installation brackets shall be made of zinc plated, heat treated steel and provided for overhead, wall or ceiling installation per the contract documents.

Louvers shall be selected from the Graber® line of PVC offerings in 2" or 3-1/2" widths and/or fire-rated fabrics in 3-1/2" widths. FR certifications are available upon request.

- Options:**
- One Touch™ wand control
 - Standard valance
 - Bottom chain
 - Extension brackets

