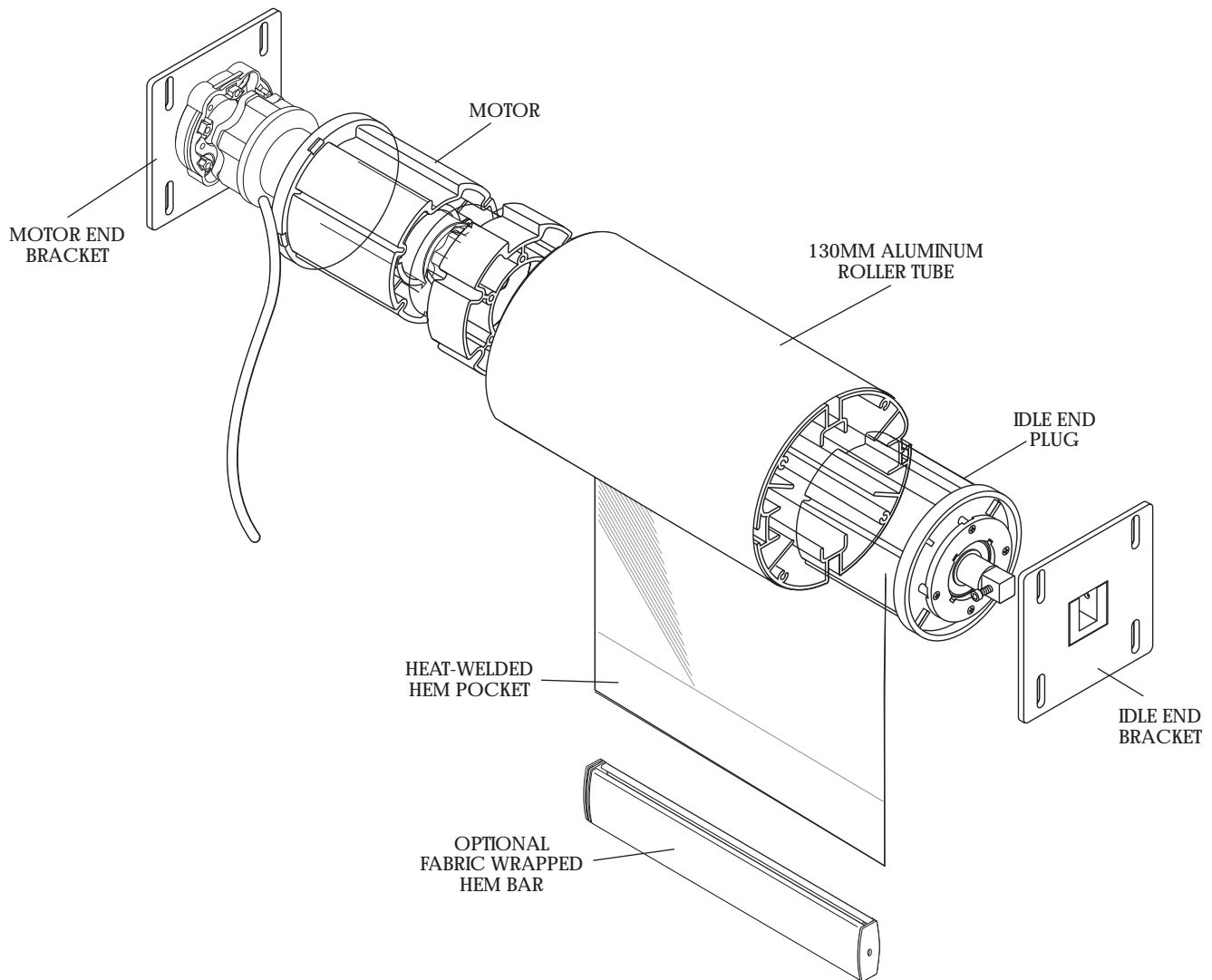


Data Sheet

HEAVY DUTY (130mm) MOTORIZED SHADE



- Shades are raised and lowered by means of a line voltage AC motor.
- All motors come standard with a quick disconnect plug.
- Roller tube is 130mm extruded aluminum for large shade applications and is engineered with a channel to accept fabric spline making the shade panel easy to remove.
- Adjustable idle end bracket allows shades to be leveled while in place.
- Hem bar is extruded aluminum and completely enclosed in a heat-welded hem pocket. Optional fabric wrapped hem bar.
- Optional 7.5" x 8" dual shade pocket with or without tile support available in white.
- Edge gap is 1-9/16" on the motor end and 1-7/16" on the idle end.