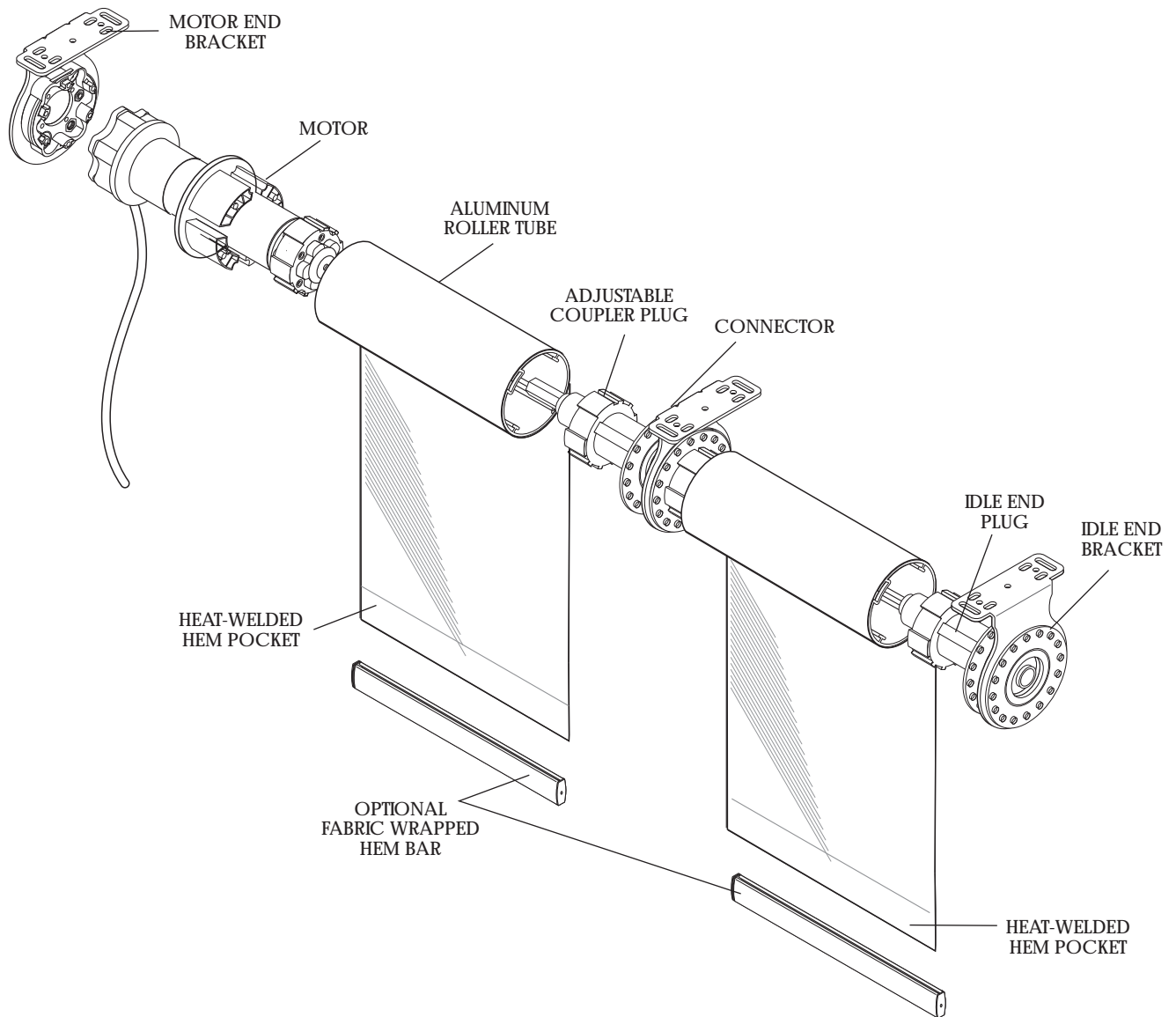


Data Sheet COUPLED STANDARD (60mm) MOTORIZED SHADES



- Two or more individual shades can be connected with a mechanical coupler and operated by a single motor. Shades operate in tandem.
- All motors come standard with a quick disconnect plug.
- The number of shades that can be coupled is based on shade size and fabric selection.
- Adjustable idle end bracket allows shades to be leveled while in place.
- Spring loaded, adjustable coupler plug allows for precise leveling of shades.
- Edge gap is 15/16" on the motor end and 3/4" on the idle end and the gap between shades is 1".