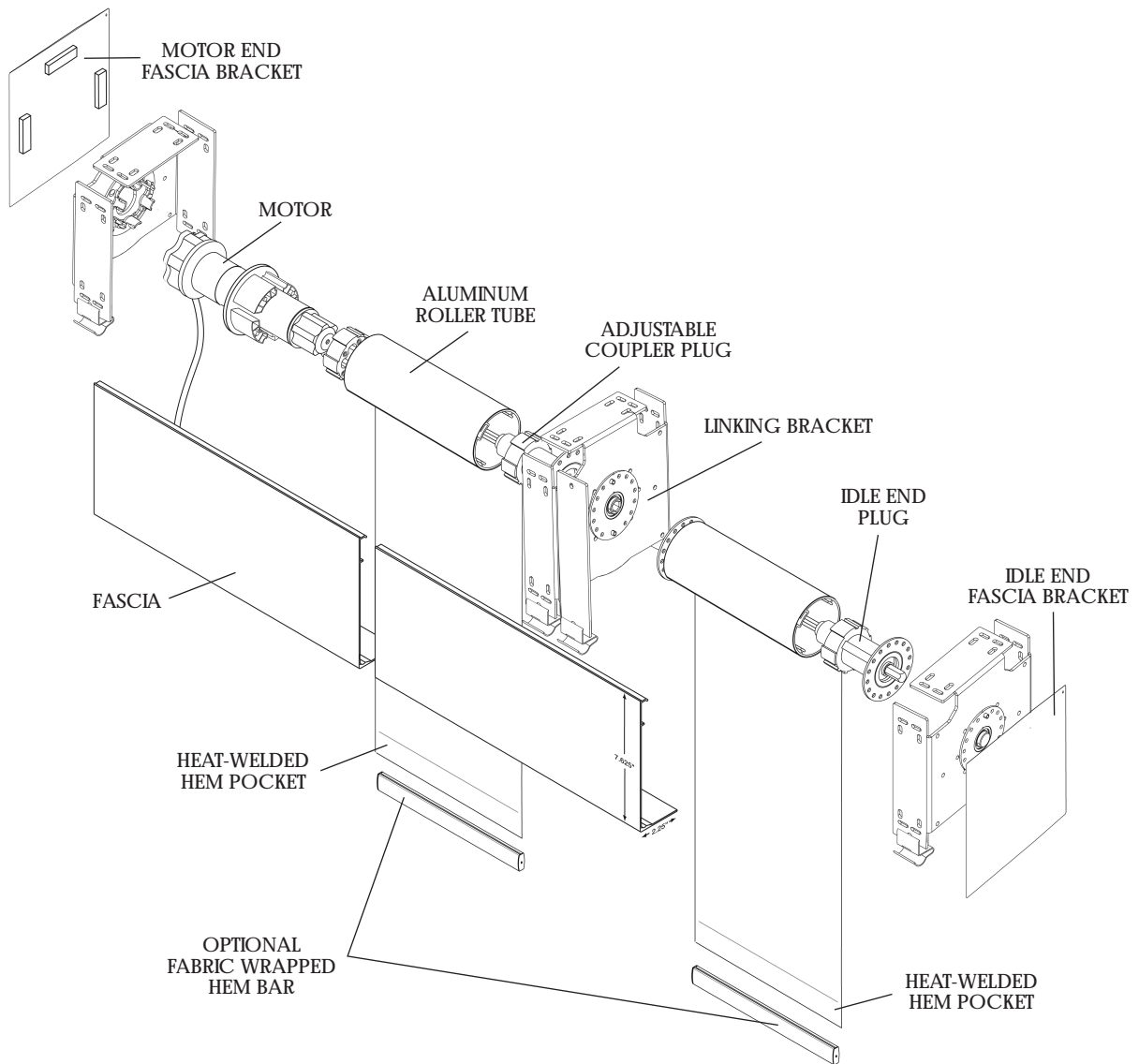


Data Sheet COUPLED EXTENDED (80mm) MOTORIZED SHADE WITH FASCIA



- Two or more individual shades can be connected a mechanical coupler and operated by a single motor. Shades operate in tandem.
- All motors come standard with a quick disconnect plug.
- The number of shades that can be coupled is based on shade size and fabric selection.
- Adjustable idle end bracket allows shades to be leveled while in place.
- Spring loaded, adjustable coupler plug allows for precise leveling of shades.
- 7.625" x 2.25" fascia available in white, vanilla, clear anodized, bronze and black.
- Edge gap is 1-1/8" on the motor end and 3/4" on the idle end and the gap between shades is 1" with 80mm roller tubes.