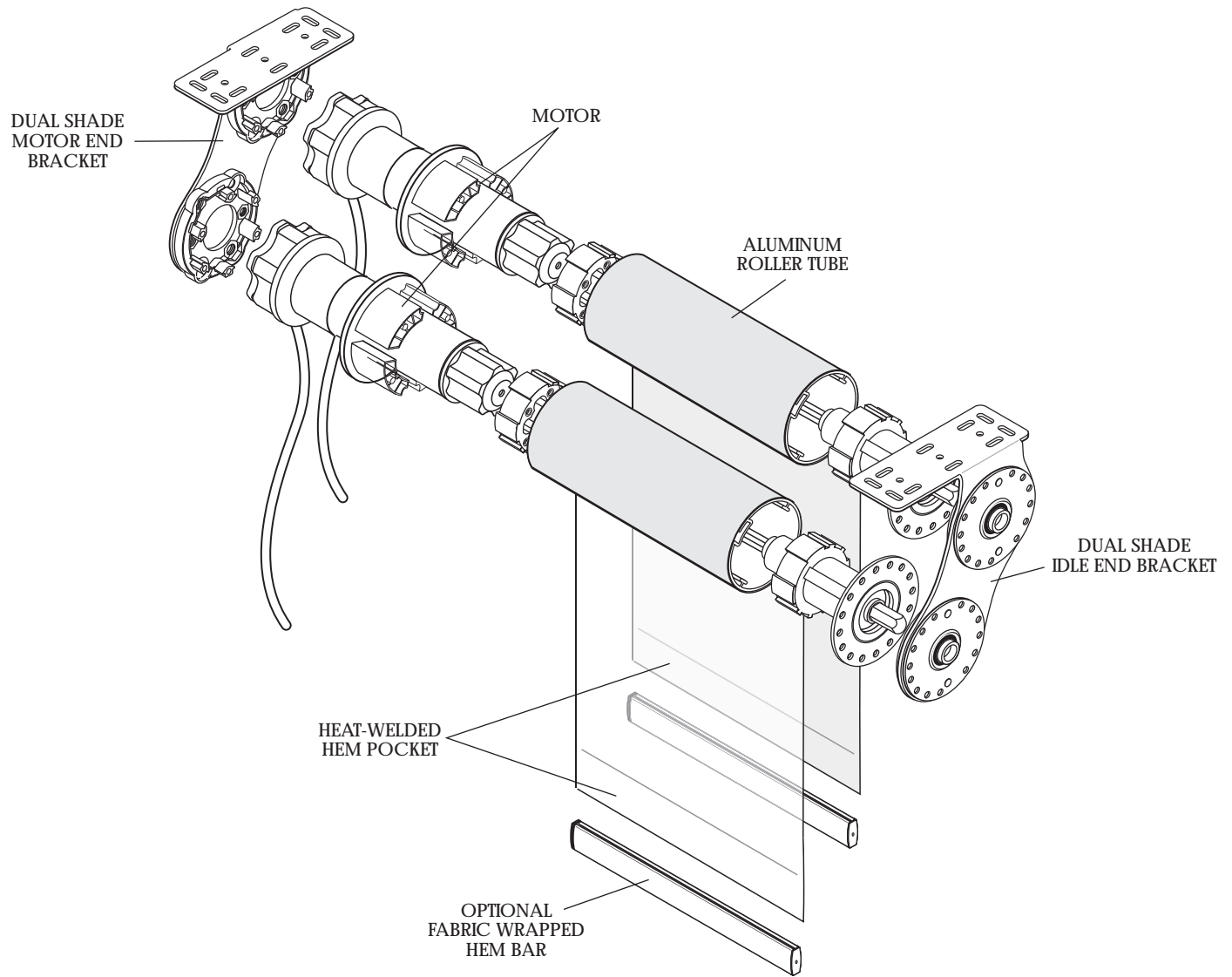


Data Sheet DUAL MOTORIZED SHADES



- Allows for two shades to be installed onto one bracket system utilizing both blackout and mesh fabrics.
- Each shade is controlled by its own motor system.
- Only line voltage AC motors can be used in a dual shade system.
- All motors come standard with a quick disconnect plug.
- Adjustable idle end bracket allows shades to be leveled while in place.
- Optional dual shade pocket measures 7.5" x 8" and is available in white.