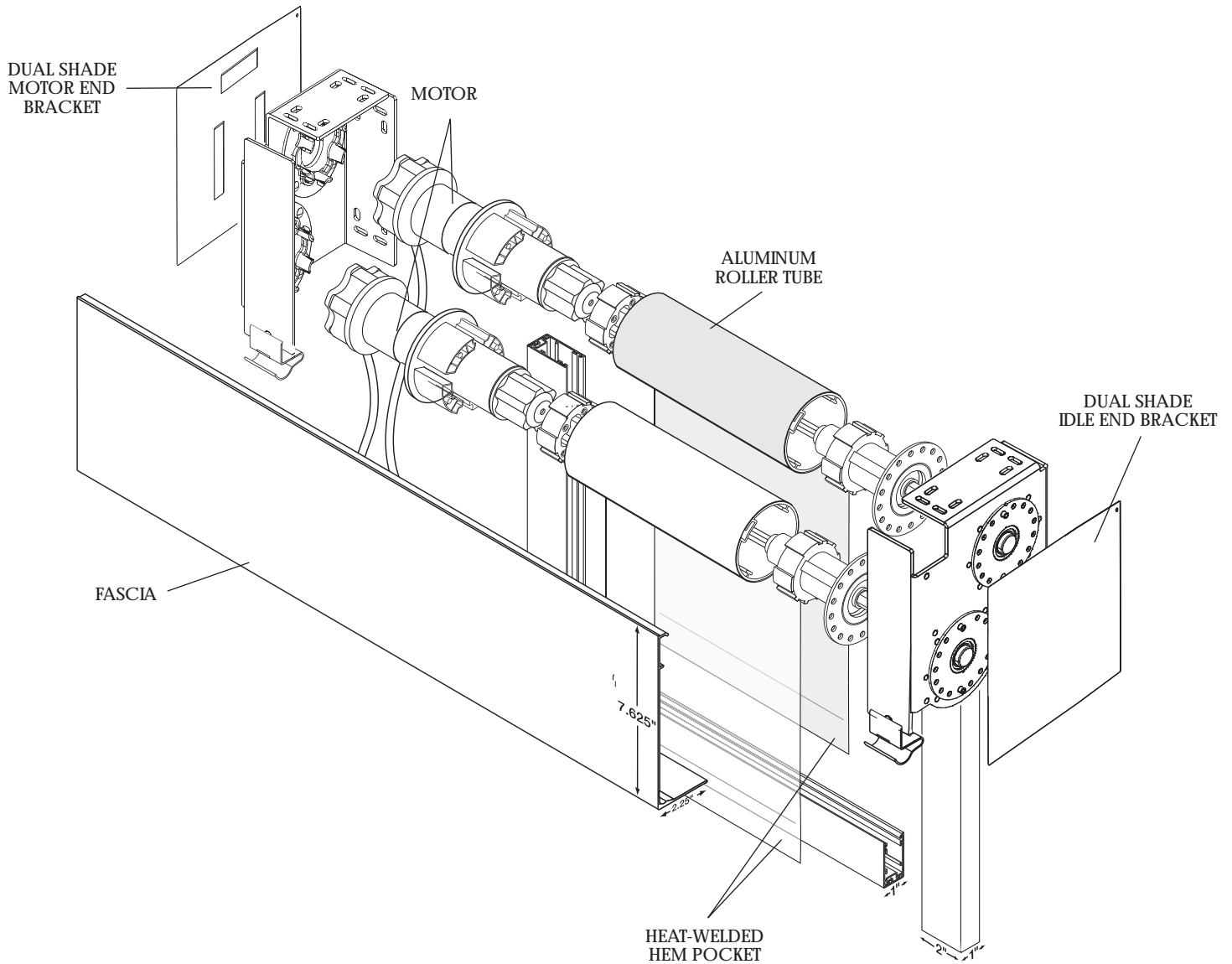


Data Sheet DUAL MOTORIZED SHADE WITH BLACKOUT



- Allows for two shades to be installed onto one bracket system utilizing both blackout and mesh fabrics.
- Each shade is controlled by its own motor system.
- Only line voltage AC motors can be used on a dual shade system.
- All motors come standard with a quick disconnect plug.
- Adjustable idle end bracket allows shades to be leveled while in place.
- Spring loaded, adjustable coupler plug allows for precise leveling of shades.
- 7.625" x 2.25" fascia available in white, vanilla, clear anodized, bronze and black.
- 2" x 1" side and sill channels and 4" x 1" center channel are extruded aluminum with synthetic pile inserts to eliminate light leakage. Available in white, clear anodized and bronze.