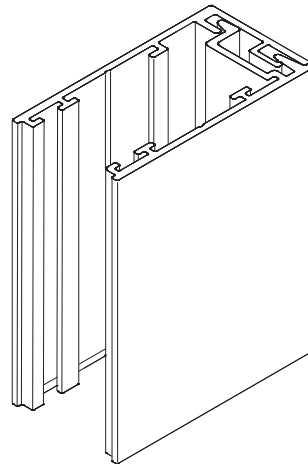
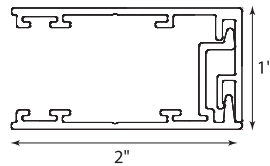
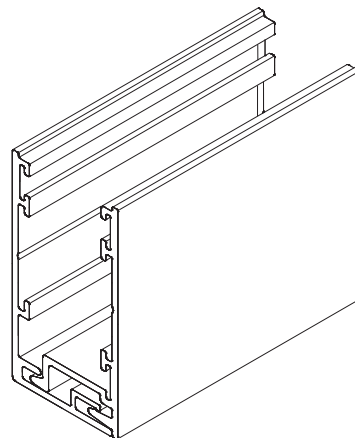
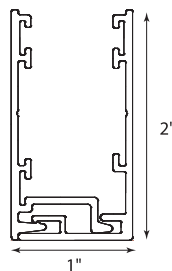


Data Sheet SIDE, SILL and CENTER CHANNEL

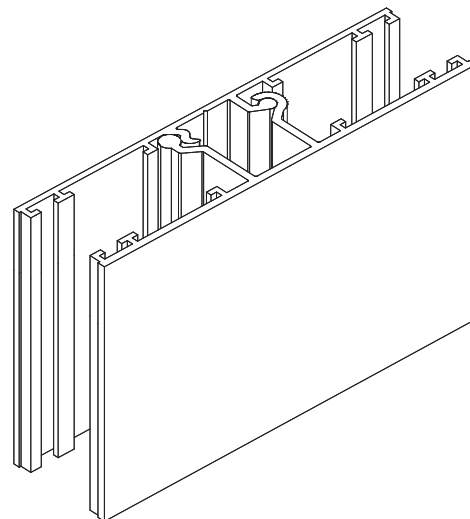
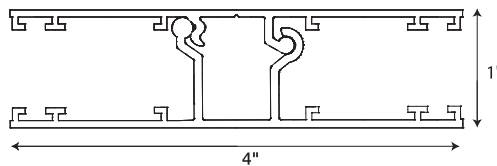
Side Channel



Sill Channel



Center Channel



- Side, sill and center channels are extruded aluminum with synthetic pile inserts to eliminate light leakage.
- Available in white, clear anodized or bronze.