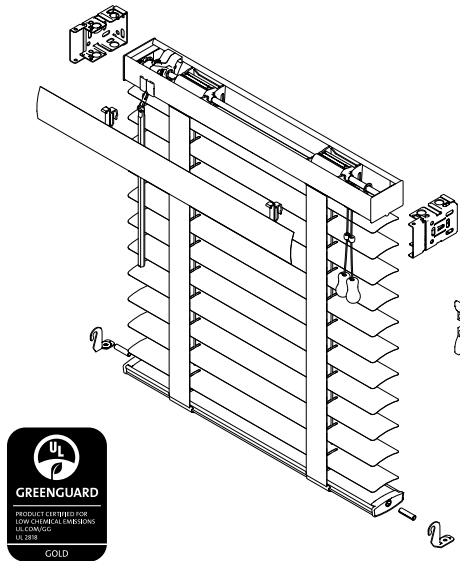


# 2" ALUMINUM SCHOOL BLINDS

## Product Specifications



## Product Features and Benefits

- Designed specifically for school applications
- SureTight® heavy-duty steel headrail system
- Lightblocking lip on headrail eliminates light leakage
- Enclosed bottomrail
- Heavy-duty lift cords
- Wand Tilt
- Heavy-duty lift and tilt cords for superior slat closure
- Durable 1½" wide reinforced vinyl ladder tape
- Antistatic performance to repel dust
- Low HAP, low VOC paint process
- Compliant with ANSI WCMA A100.1-2018 standard for cord length.
- Slats meet NFPA 701
- GREENGUARD Gold certified
- Limited lifetime warranty

Identical to Bali® 2" Aluminum School Blinds

**SureTight Headrail** shall be 1<sup>5</sup>/<sub>8</sub>" high x 2¼" wide x .022" thick U-shaped steel with 1/<sub>8</sub>" lightblocking lip on the bottom center line. The steel finishing process includes phosphate treatment for corrosion resistance, a chrome-free sealer, a low HAP urethane primer, and a topcoat of low HAP, polyester-baked enamel.

**Cord tiler** shall be a snap-in component incorporating a worm and pulley of low-friction thermoplastic and a nylon gear. Standard tilt cords shall measure 2.2 mm diameter.

**Tilt rod** shall be electro-zinc coated solid steel measuring ¼" square.

**Cordlock** shall be metal of a snap-in design incorporating a floating, shaft-type locking pin and shall incorporate a crash-proof safety feature that will lock blind automatically upon release of cord.

**Drums** shall be made of high-strength thermoplastic, which securely anchors vinyl tapes.

**Installation brackets** shall be made of phosphate-treated steel with a urethane primer and polyester-baked enamel finish to match headrail. The design shall incorporate a hinged front cover.

**Lift cord** shall be made of braided polyester measuring 2.2 mm in diameter.

**Vinyl ladder tape** shall be 1½" wide reinforced vinyl. Standard ladder spacing shall be 42 mm.

**Slats** shall be 5000 series cold-rolled aluminum containing the maximum allowable recycled content to produce a high-strength and corrosion-resistant flexible product. Slats shall be nominally 2" wide x .008" thick and processed to provide a smooth, hard, less porous surface with antistatic performance to repel dust. Slats shall be treated with a topcoat of polyester-baked enamel.

**Bottomrail** shall be C-shaped 9/<sub>16</sub>" high x 2" wide x 0.40" thick anodized aluminum. It shall be fully enclosed with a dust cover slat and finished with a polyester-baked enamel to match headrail.

### Options:

- Cord tilt
- Ring tilt
- Ring pull
- Cut-outs
- Deluxe valance
- Hold down brackets
- Inverted slat for daylighting
- Extension brackets
- Custom cord lengths available