

SWFcontract™

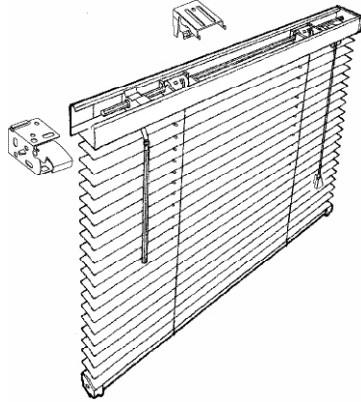
BALI ALUMINUM HORIZONTAL BLINDS

Bali® aluminum horizontal blinds are manufactured using the most flexible, corrosion-resistant slat material available. All Bali® aluminum blinds are finished with a unique antistatic, permanent paint process. This classic window treatment features privacy, light control, durability and a wide array of colors and options.



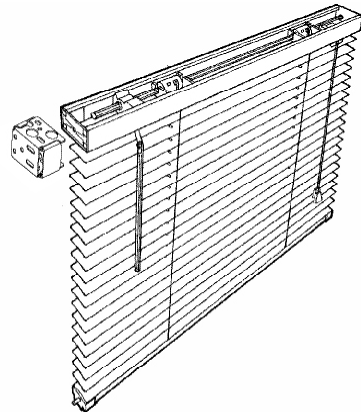
COMPARISON SHEET - BALI® ALUMINUM HORIZONTAL BLINDS

Product Features - BALI® S3000 1" ALUMINUM HORIZONTAL BLINDS



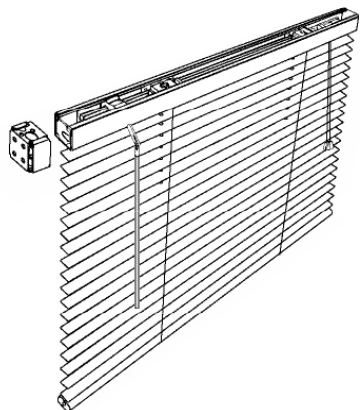
- 1" x 1-1/2" integrated headrail with light blocking lip
- Anti-static paint performance to repel dust
- Low HAP, low VOC paint process
- Snap-in hidden brackets
- Disengaging clutch
- Crash-proof cord lock
- Enclosed bottomrail
- .006" or .008" slat option
- Privacy slat option
- Perforated slat option
- 1/2" slat option (S4000 Micro - .006" slat)
- Box bracket option
- Limited Lifetime warranty

Product Features - BALI® CLASSICS 1" ALUMINUM HORIZONTAL BLINDS



- 1" x 1-1/2" steel headrail
- Anti-static paint performance to repel dust
- Low HAP, low VOC paint process
- Disengaging clutch
- Crash-proof cord lock
- Cord tilter
- Enclosed bottomrail
- .006" or .008" slat option
- Perforated slat option
- Specialty shapes
- Limited Lifetime warranty

Product Features - BALI® CUSTOMISER 1" ALUMINUM HORIZONTAL BLINDS



- 1" x 1" slim profile, steel headrail
- Anti-static paint performance to repel dust
- Low HAP, low VOC paint process
- Disengaging clutch
- Crash-proof cord lock
- .006" or .008" slat option
- 1/2" slat option (Bali® Micro)
- Perforated slat option
- Limited Lifetime warranty

Call 800-327-9798 or email architectsolutions@swfcontract.com