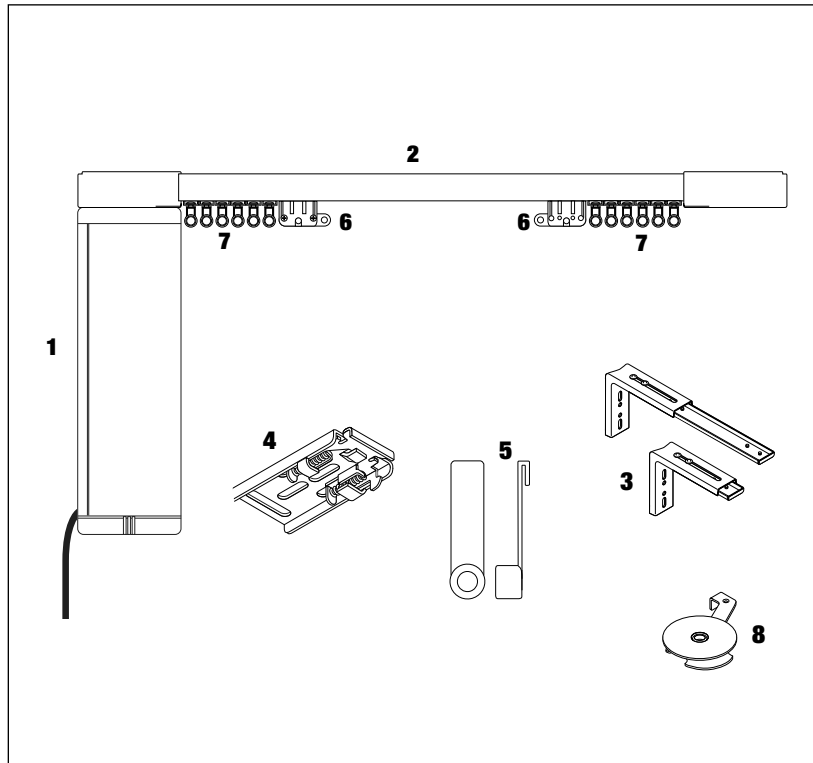
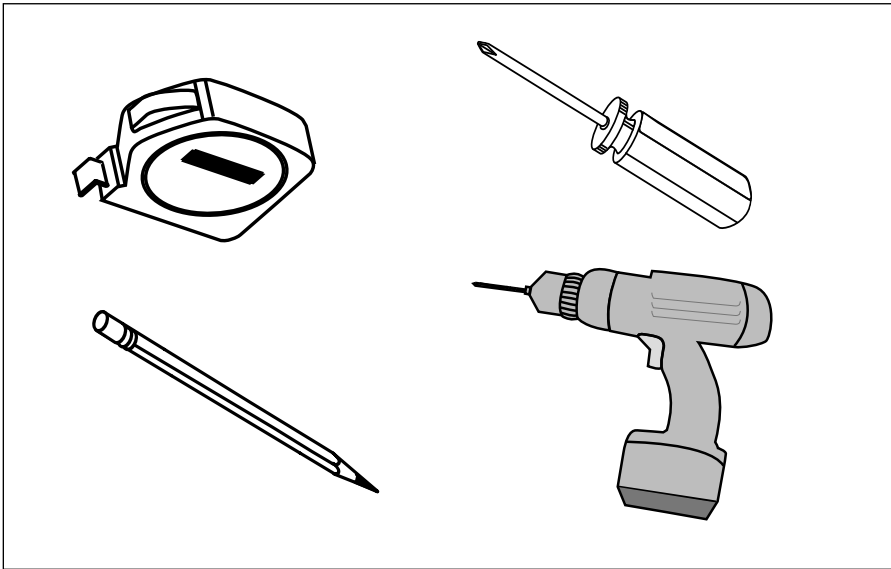


**PRODUCT OVERVIEW**



1. Glydea Motor
2. Motorized Drapery Track
3. Wall Brackets
4. One Touch Ceiling Bracket
5. Return Hooks
6. Master Carrier/Carrier Arms
7. Carriers
8. Swivel/Ceiling Bracket

**TOOLS NEEDED**

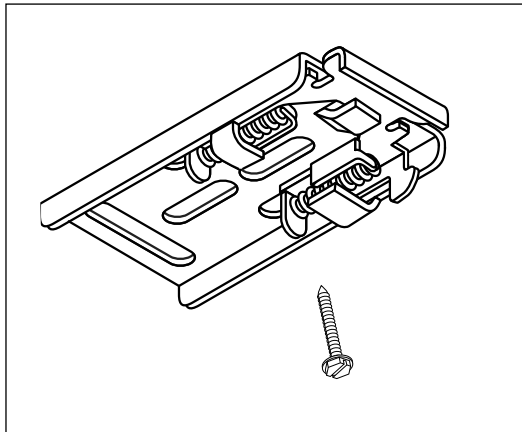


1. Tape Measure
2. Phillips Screwdriver
3. Pencil
4. Drill with 1/16" (1.6mm) bit

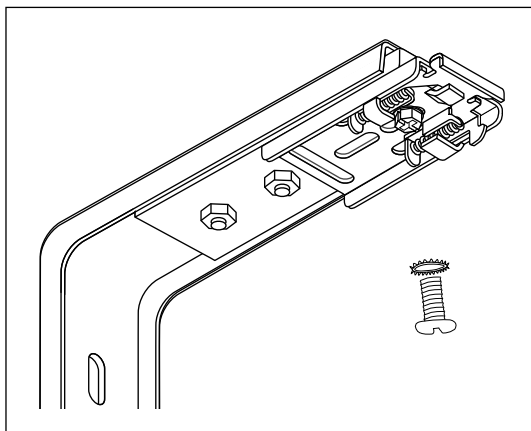
**Not Included**

1. Screws
2. Wall Anchors

**DETERMINE WHICH BRACKET TO USE**

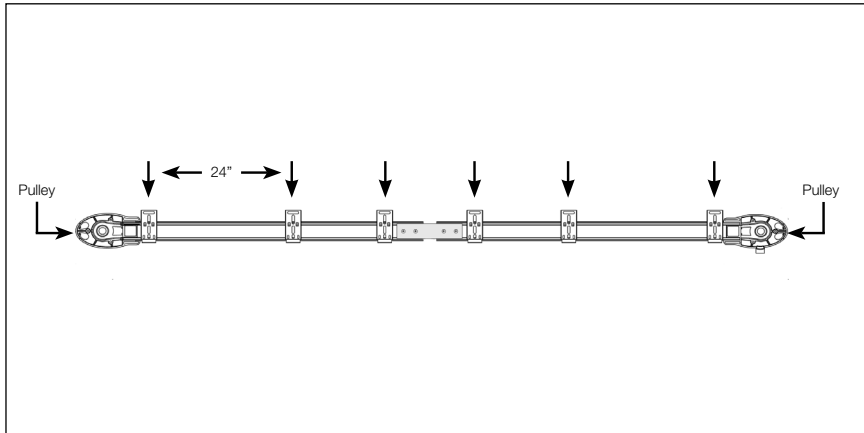


1. If you are mounting the motorized drapery track to a ceiling or inside the window frame, attach the one touch ceiling brackets directly to the surface.



2. If you are mounting the motorized drapery track to a wall, attach the one touch ceiling brackets to the adjustable wall mount brackets.

**MARK BRACKET LOCATIONS**

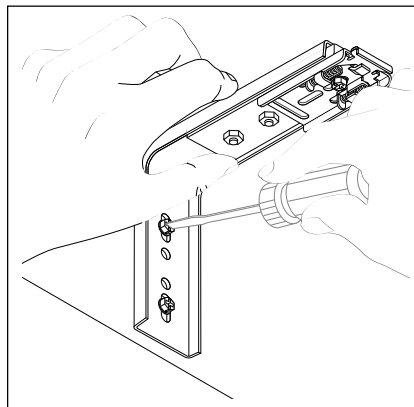
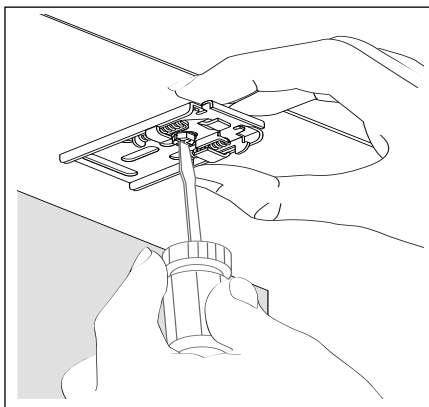
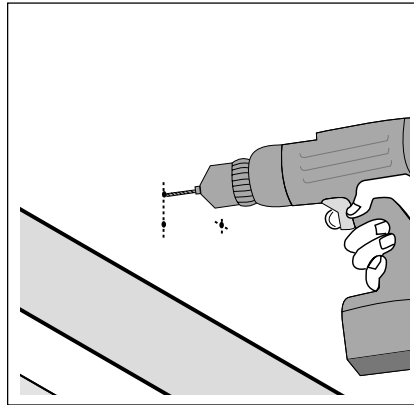
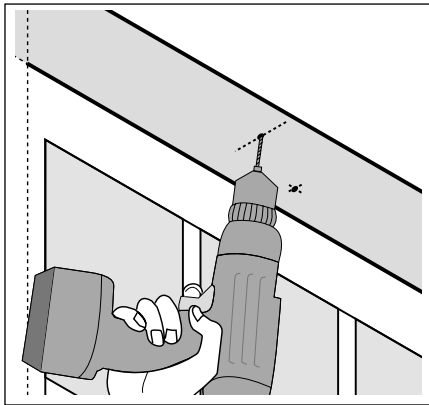


Using a tape measure and pencil, mark the locations where the brackets will be installed. Brackets should be installed by each pulley, and then at 24" intervals along the track.

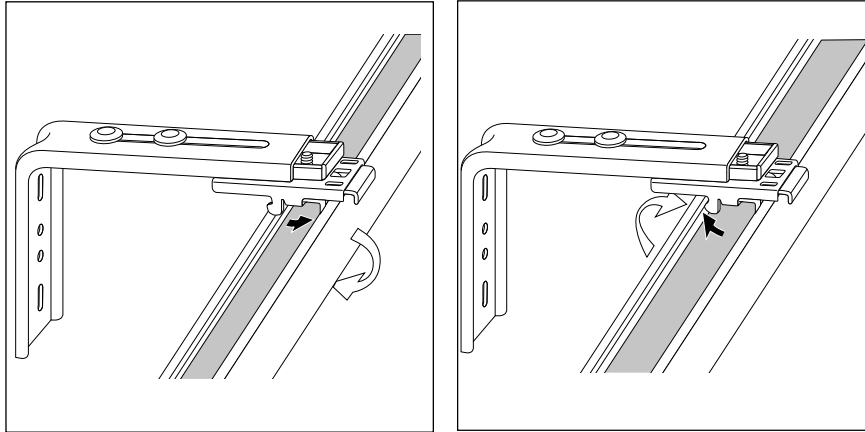
**DRILL HOLES; SCREW BRACKETS IN PLACE**

Inside/Ceiling Mount

Outside/Wall Mount



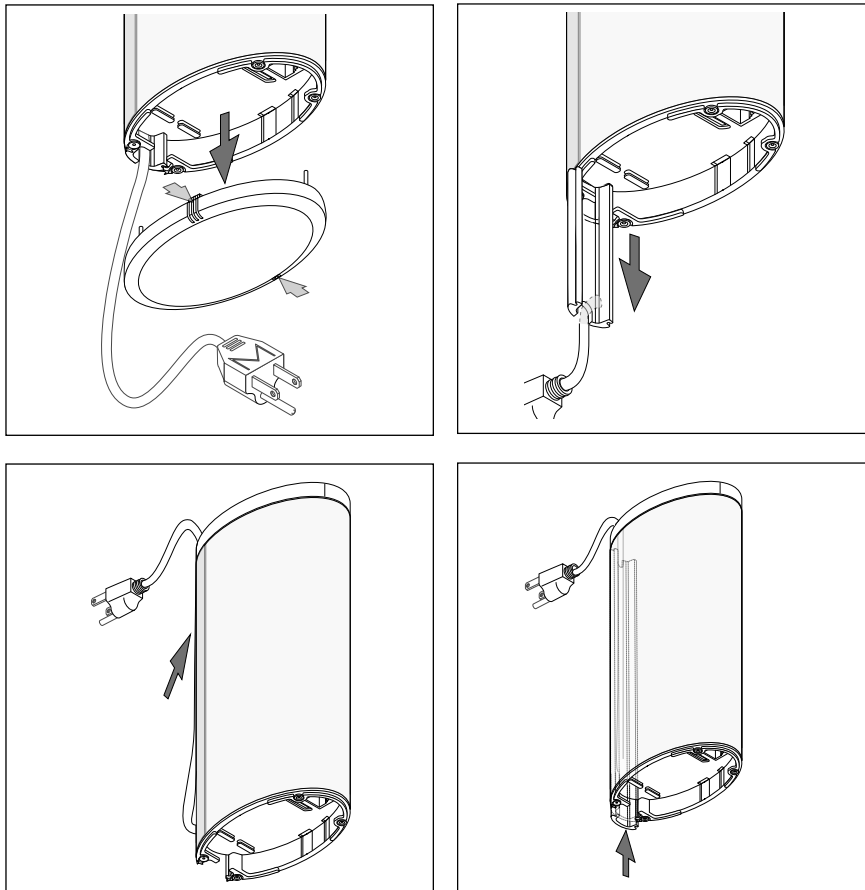
**ATTACHING DRAPERY TRACK**



Snap the motorized drapery track into the one touch ceiling brackets.

1. Hook front lip of track to bracket.
2. Rotate to attach back of bracket to track.

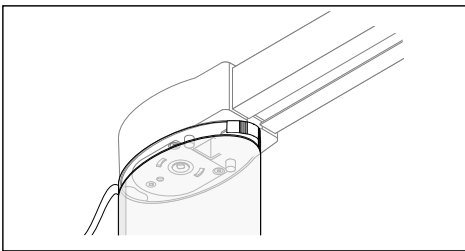
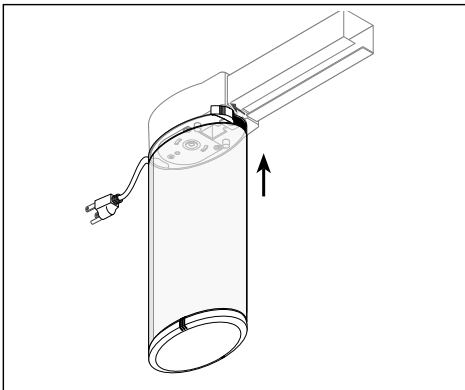
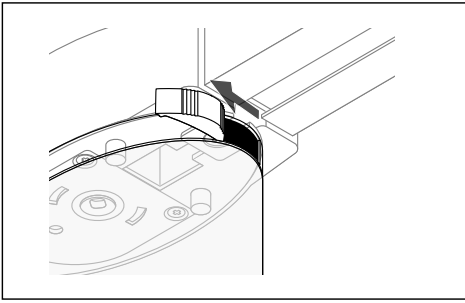
**OPTIONAL: ADJUSTING MOTOR WIRE**



Adjust the motor wire so that it comes out of the top of the motor.

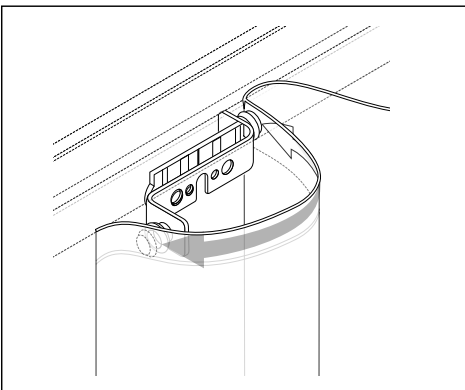
1. Remove oval-shaped cover from the bottom of the motor.
2. Hold wire down and slide thin plastic cover off.
3. Position cord from bottom to top of the channel.
4. Flip thin plastic cover so the hole notch is up, and slide the cover on over the cord.
5. Place oval-shaped bottom cover back on the bottom of the motor.

**INSTALL THE MOTOR**



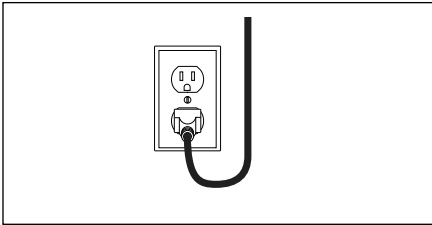
1. Start by unlocking the motor release button.
  
2. Locate the pulley where you want to mount the motor. Push the motor up until it fits snugly into the mounting area.
  
3. Push the motor release button until it snaps back into its original place. This locks the motor mount.

**INSTALL DRAPERY**



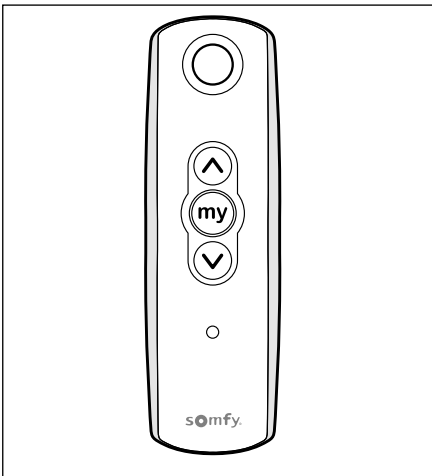
Attach drapery to the drapery carriers. Depending on the draw type selected, you may have one drape or two drapes to attach. For each drape, begin with the first hook or snap; attach this to the master carrier. Attach remaining hooks or snaps to additional carriers. Attach the final hook or snap to the return hooks on the pulley. Return hooks can be adjusted to fit desired placement.

**PLUG IN MOTOR**



Plug in the motor to a 120AV AC wall outlet.

**PROGRAM GLYDEA TRACK**

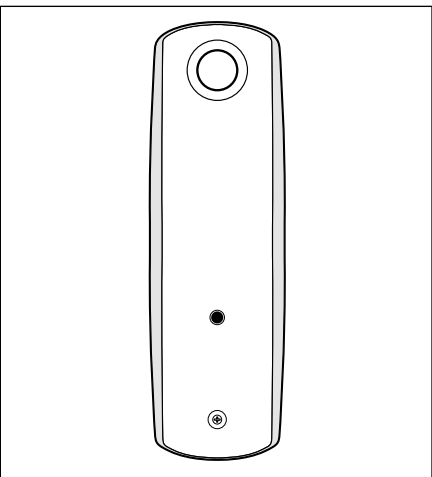


On the RTS control (remote, wall switch, or timer), press UP and DOWN simultaneously until the drapery jogs.

Press UP or DOWN. The drapery will automatically move and record the positions at which it must make a hard stop.

Then, confirm which direction the drapery moves by pressing UP or DOWN to see which button opens the drapery and which button closes it. You can change the direction of movement by pressing and holding the MY button until the shade jogs, and then pressing the UP or DOWN button, to confirm direction change.

Using a paper clip or similar item, press and hold the programming button on the control until the shade jogs to confirm the programming. This button is located on the back of the handheld remote, or on the front of your wall switch.



**GLYDEA PROGRAMMING**

Refer to the Glydea RTS Programming Instructions (included with Glydea motor) for information on setting additional programming.