

## GRABER® VERTICAL BLINDS

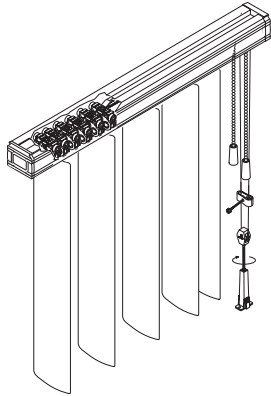
Graber vertical blinds provide superior strength and exceptional performance with a wide choice of headrail and louver options. Features such as EZ-Open™ and One Touch® wand control allow customization for any project. The louver color palette reflects the trends of today's commercial market place.

- G-98 Ultra-View™ headrail with self aligning carriers
- G-71 Super-View® headrail with pantograph spacing
- G-85 Dura-View® economical steel headrail
- Durable vinyl louvers offer superior light control and are easy to clean
- Solar fabric louvers with 1,3 or 5% openness minimize glare and block UV rays
- FR fabric louvers are available



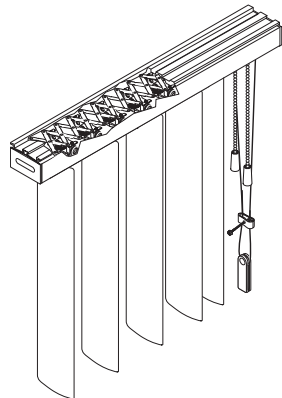
## COMPARISON SHEET - GRABER® VERTICAL BLINDS

## Product Features - GRABER® G-98 ULTRA-VUE™ VERTICAL BLINDS



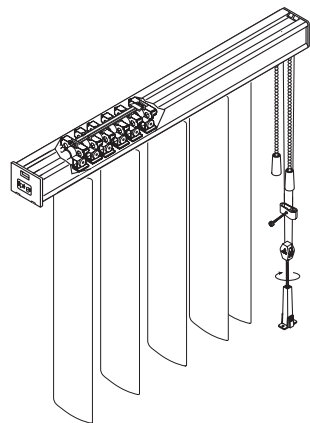
- Heavy duty anodized aluminum headrail - strength allows widths to 191"
- Self aligning carriers - eliminates misaligned louvers
- Slim carriers - provide tight stack for greater view
- Centrally located carrier stems - makes headrail reversible
- 6-1 gear ratio - provides effortless louver rotation
- Low friction wheeled carriers - allow louvers to traverse smoothly and easily
- One Touch® wand control optional - replaces chain and cord controls
- Lifetime headrail warranty

## Product Features - GRABER® G-71 SUPER-VUE® VERTICAL BLINDS



- Heavy duty anodized aluminum headrail - strength allows widths to 191"
- Steel pantograph - ensures precise and proportional louver spacing
- Rack and pinion gear system - allows louvers to rotate smoothly and easily
- E-Z Open™ automatic rotation - minimizes cord and chain confusion by automatically opening louvers before traversing
- Centrally located carrier stems - makes headrail reversible
- Specialty shapes - fits curved walls and angled windows
- One Touch® wand control optional - replaces chain and cord controls
- Lifetime headrail warranty

## Product Features - GRABER® G-85 DURA-VUE™ VERTICAL BLINDS



- Roll-formed steel headrail - strength allows widths to 178-3/4"
- Ivory painted finish - neutral appearance
- Wheeled carriers - allow louvers to traverse smoothly and easily
- Centrally located carrier stems - makes headrail reversible
- One Touch® wand control optional - replaces chain and cord controls
- Economically priced - dependable operation
- 10 year limited headrail warranty

Call 800-327-9798 or email [architectsolutions@swfcontract.com](mailto:architectsolutions@swfcontract.com)