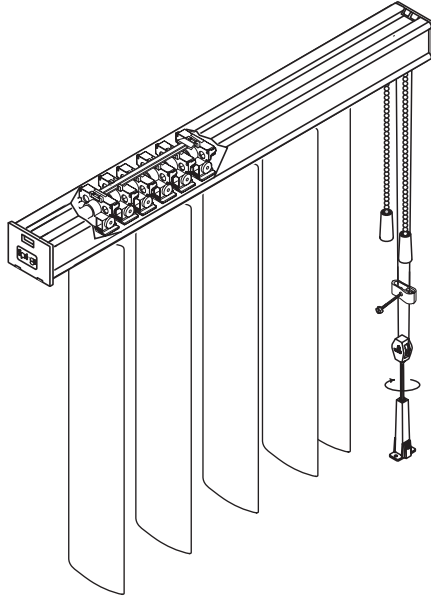


DATA SHEET

G-85 DURA-VUE® VERTICAL BLINDS

Product Features

Product Specifications



- **1½" x 1¼" roll-formed steel headrail**
- **Wheeled carriers**
- **Centered carrier stems**
- **Clear nonyellowing stems**
- **#6 nickel-plated steel rotation chain**
- **Headrail and components: Limited lifetime warranty**
- **Vertical blind vanes: Three-year warranty**

Headrail shall be roll-formed, phosphate-treated steel with a baked enamel finish in ivory gloss. Headrail shall measure 1½" wide x 1¼" high x .027" thick.

Carriers shall be made of molded nylon on traversing wheels and centrally located, making the headrail reversible. Detachable stems shall be clear, nonyellowing, UV-stabilized nylon and are impact-resistant. Carriers and stems shall be replaceable without demounting the headrail.

Rotation control shall consist of #6 nickel-plated steel bead chain and a rack-and-pinion gear system, providing 180° direct rotation. The pinion rod shall be extruded aluminum 0.30" diameter.

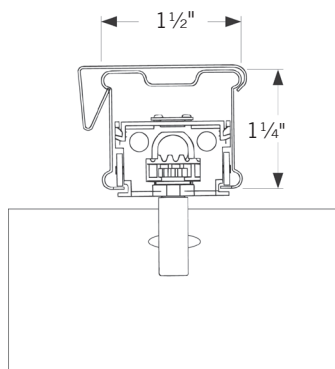
Traversing control shall be a nylon strap system. Traverse cord is #3 braided polyester with a fiberglass core, 0.094" diameter and is equipped with a tension device and cord clip. The cord clip is placed above the tension device to prevent a hazardous cord loop. The cord clip should be properly anchored to the wall or window jamb in accordance with installation instructions and consistent with requirements of the American National Standard for Window Covering Safety ANSI-WCMA A100.1.

Installation brackets shall be made of zinc-plated, heat-treated steel and provided for overhead, wall or ceiling installation per the contract documents.

Vanes shall be selected from the Graber® line of PVC offerings in 2" or 3½" widths and/or fire-rated fabrics in 3½" widths. FR certifications are available upon request.

Options:

- One Touch® wand control (not available with E-Z Open)
- Valance
- Stack release
- Bottom chain
- Extension brackets
- Bay window application
- Specialty shapes available



The SWFcontract product presented is identical to Graber® G-85 Dura-Vue® Vertical Blinds.