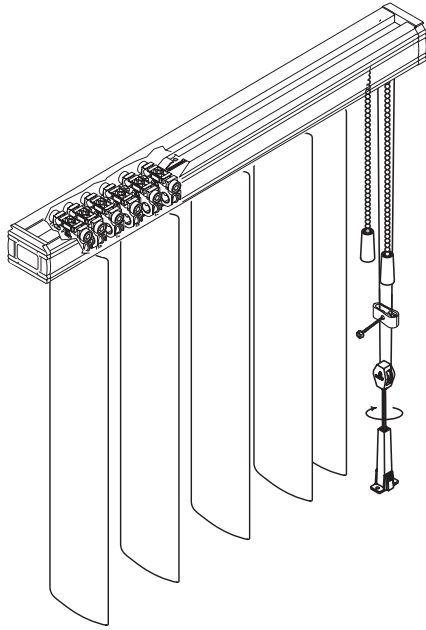


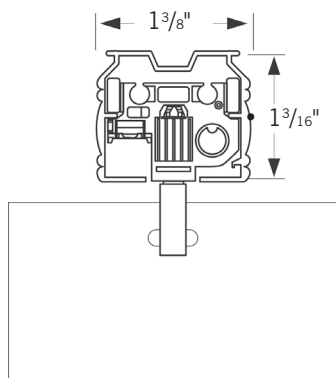
DATA SHEET

G-98 ULTRA-VUE™ VERTICAL BLINDS

Product Features



- **1³/₈" x 1³/₁₆" heavy-duty extruded aluminum headrail**
- **Stainless steel carrier spacing**
- **Self-aligning centered carrier stems**
- **Clear nonyellowing stems**
- **#6 nickel-plated steel rotation**
- **Headrail and components: Limited lifetime warranty**
- **Vertical blind vanes: Three-year warranty**



Product Specifications

Headrail shall be 1³/₈" wide x 1³/₁₆" high with an average wall thickness of .050" and made of anodized aluminum alloy 6063-T5 with a bright dip finish.

Carriers shall be made of molded acetyl, ⁵/₁₆" wide for tight stacking, and shall traverse on self-lubricated wheels for smooth operation. Carriers shall be centrally located, making the headrail reversible, and shall be replaceable without demounting the headrail.

Self-aligning stems shall be made of clear, nonyellowing, UV-stabilized nylon and are impact-resistant. Stems automatically realign when rotated, eliminating out-of-sync vanes; stems shall be replaceable without demounting the headrail.

Rotation control shall consist of #6 nickel-plated steel bead chain and a rack-and-pinion gear system, providing 180° direct rotation. The pinion rod shall be extruded aluminum 0.235" diameter. A 6-1 gear ratio provides effortless rotation regardless of blind size.

Traversing control shall be a stainless steel spacer system providing uniform vane spacing. Traverse cord is Danskord 1.8mm diameter and is equipped with a tension device and cord clip. The cord clip is placed above the tension device to prevent a hazardous cord loop. The cord clip should be properly anchored to the wall or window jamb in accordance with installation instructions and consistent with requirements of the American National Standard for Window Covering Safety ANSI-WCMA A100.1.

Installation brackets shall be made of zinc-plated, heat-treated steel and provided for overhead, wall or ceiling installation per the contract documents.

Vaness shall be selected from the Graber® line of PVC offerings in 2" or 3¹/₂" widths and/or fire-rated fabrics in 3¹/₂" widths. FR certifications are available upon request.

Options:

- One Touch® wand control
- Valance
- Bottom chain
- Extension brackets
- Bay window application

The SWFcontract product presented is identical to Graber® G-98 Ultra-Vue™ Vertical Blinds.